

**UTEK**<sup>®</sup>



**FLAT 150**





## FLAT 150



- ◆ High efficiency heat recovery ventilator (>90%)
  - ◆ Compact size dimensions and reduced height (241mm) for indoor installation with ambient temperature between 0° and 45° C
  - ◆ Range: nr. 1 model of 150 m<sup>3</sup>/h airflow
  - ◆ **Plug-n-play solutions with electrical panel pre-wired and microprocessor control mounted on board.**
- Optional microprocessor controls (see the [Accessories](#) booklet):
- CTR08
  - CTR07
  - **EVO PH**
  - **EVO D PH**



### DESCRIPTION

- ◆ Self-supporting casing made by double skin steel panels, plasticized white, sandwiched on injected polyurethane foam insulation, thickness 20mm
- ◆ easy access and maintenance panel
- ◆ easy connection plug-n-play to the power supply
- ◆ timed automatic defrosting of the heat exchanger

### VENTILATORS

- ◆ ECM-230V: low consumption radial ventilators 230V-1-50/60Hz backward curved blades

### HEAT EXCHANGER

- ◆ High efficiency polypropylene counterflow heat exchanger (thermal efficiency >90%)

### FILTERS

- ◆ G4 for exhaust air
- ◆ F7 [low pressure loss](#) for fresh air

### INSTALLATION

- ◆ [Vertical](#) wall mounted with lateral circular spigots to the ducting or [horizontal](#) floor/ceiling mounted, for indoor installation with ambient temperature between 0° and 45° C

### VERSIONS AVAILABLE

- ◆ With or without automatic by-pass
- ◆ With electrical post-heating, for duct mounting
- ◆ With post-heating water coil, for duct mounting

### ACCESSORIES AVAILABLE ON REQUEST (see the [Accessories](#) booklet)

- ◆ **Accessories of deicing and post-heating for duct mounting:**
  - RCF-SCTTC electric heater 500W with thermostatic regulation for deicing
  - BA-AFC HB+ cooling/heating water coil for horizontal installation

#### ◆ Optional sensors:

- EE80 CO<sub>2</sub> sensor
- QPA 2002 CO<sub>2</sub>/VOC air quality sensor
- EE16 Humidity sensor

#### ◆ Accessories for air filtration:

- F9 optional filter [low pressure loss](#)

#### ◆ Protective accessories:

- SKMF-R Weather protection cowl
- RING Guarnilene rings for adjusting the diameter of the spigots
- ...- SIPH Standard syphon
- ...- SIPH-R Flat tray syphon

#### ◆ Accessories for air distribution:

- X-AIR Air distribution box

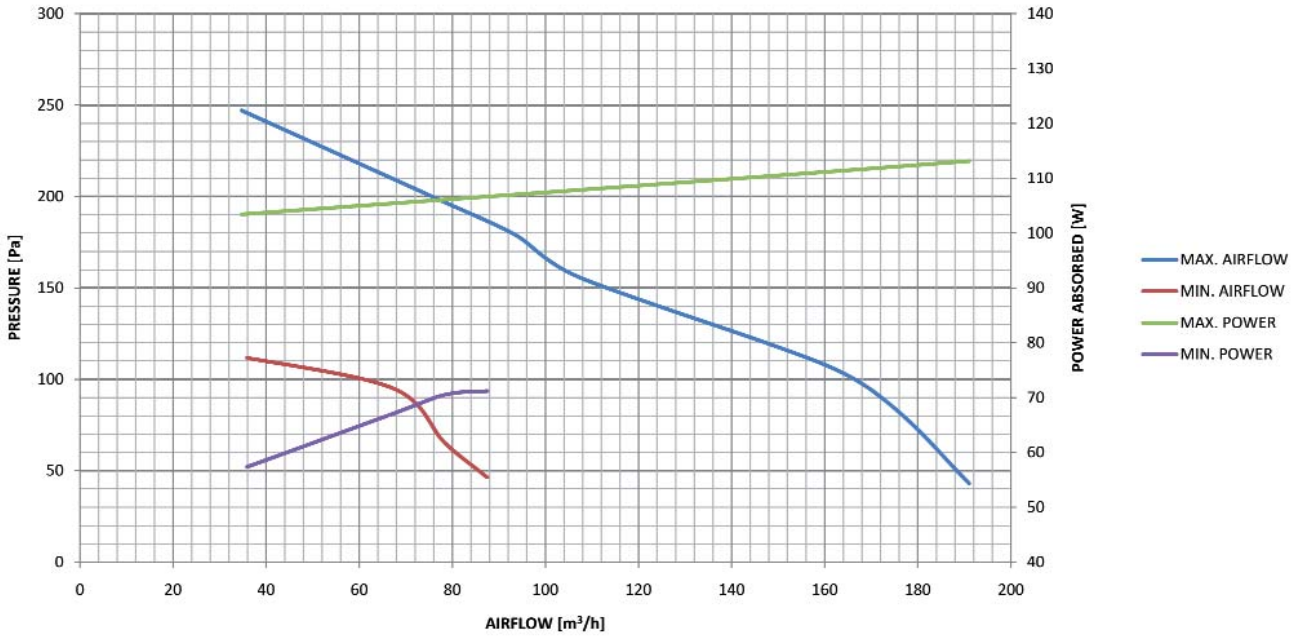
### PRICE LIST

See the [Price list](#) booklet



PERFORMANCES

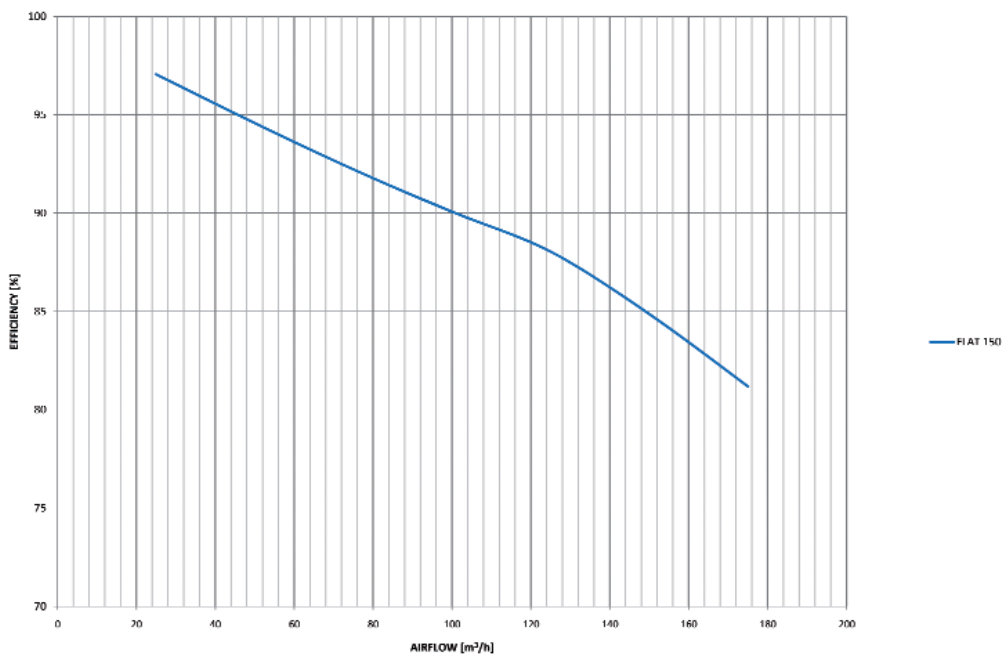
FLAT 150



The unit must be ducted properly: UTEK authorizes the use only according to its performance diagram shown into this catalogue. The claimed performances are guaranteed only by UTEK original filter low pressure loss.

HEAT RECOVERY PERFORMANCE (sensible efficiency)

Values referred to the following conditions: T<sub>bs</sub> external air - 5°C; U.R. external 80%; T<sub>bs</sub> environment 20°C; U.R. environment 50%; nominal airflow





TECHNICAL DATA

ELECTRICAL DATA

COUPLING	FAN *				FLAT 150 UNIT	
	Power	Power supply	Currente max.	Insulation class	Power supply	Currente max.
FLAT 150	43 W	230 V, 50/60 Hz 1 F	0,32 A	IP 44 B class	230 V, 50 Hz 1 F	0,8 A

\* ECM radial ventilator backward curved blades

BA-AC Post-heating water coil\*

	FLAT 150
Ranks (nr.)	1
Thermal yeld (kW)	0,7
Air side pressure loss (Pa)	10
Water side pressure loss (kPa)	1

\* Values referring to the following conditions: water 80°/70°C

ELECTRICAL HEATER

	FLAT 150
Nominal power (kW)	0,5
Tension (V)	230V-1-50Hz
Phases (nr.)	1
Stages (nr.)	1
Current absorption (A)	2,8
External air temp.(°C)	-7°
Outlet temp. air (°C)	22°

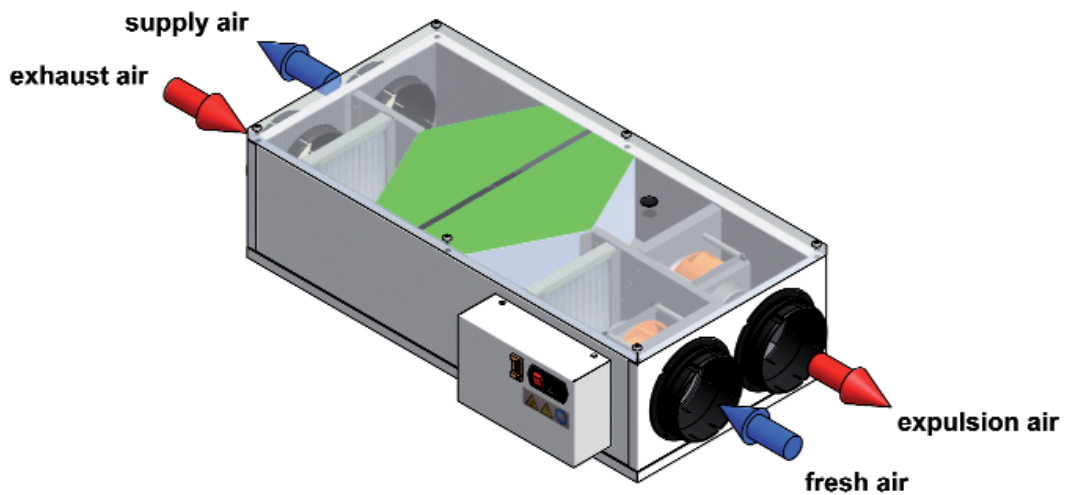
NOISE LEVEL

L<sub>w</sub> Sound power level taken in accordance to UNI EN ISO 3741

FLAT 150	NOISE TRANSMITTED (Hz)							
	125	250	500	1000	2000	4000	8000	
L <sub>w</sub> exhaust air	63	60	49	41	30	21	4	
L <sub>w</sub> supply air	59	56	47	39	32	25	12	
L <sub>w</sub> expulsion air	62	58	56	42	38	35	28	
L <sub>w</sub> fresh air	59	58	50	44	41	38	26	

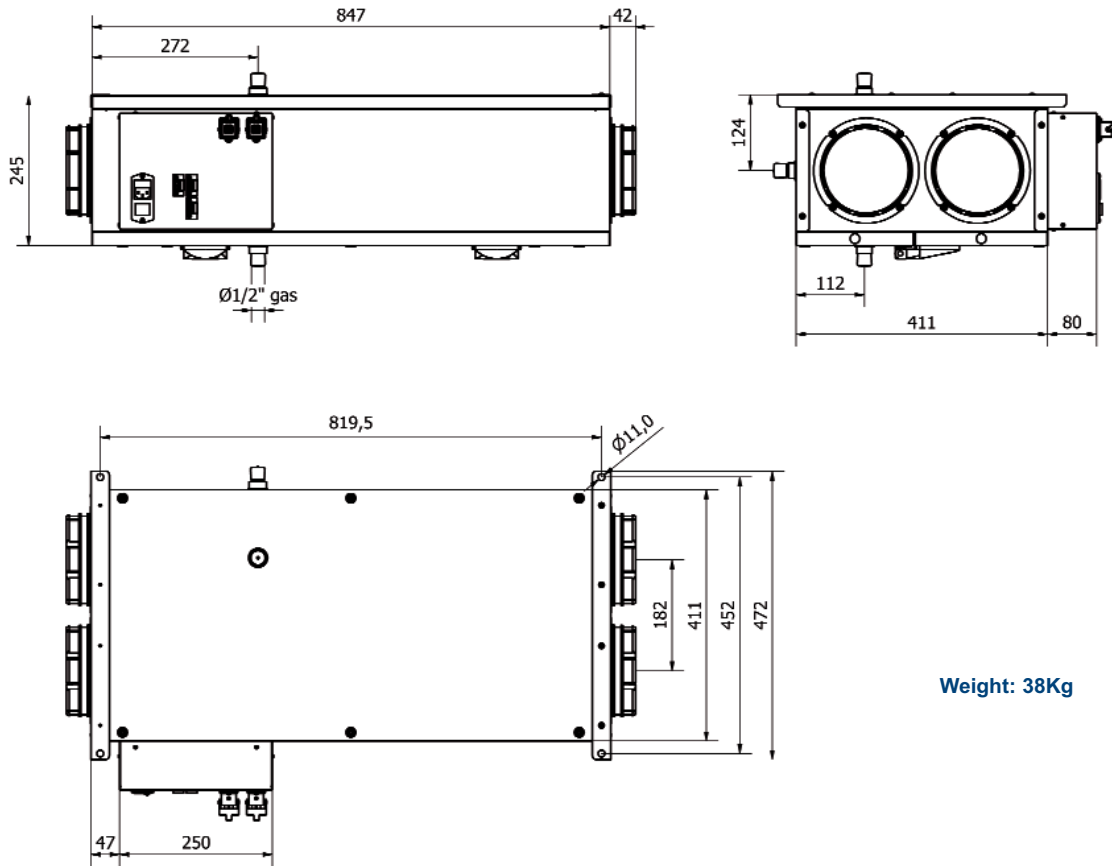
  

L <sub>w</sub> V <sub>MAX</sub>	NOISE IRRADIATED (Hz)							
	125	250	500	1000	2000	4000	8000	
	58	51	48	32	30	22	15	





**DIMENSIONS (mm) and WEIGHT (Kg)**

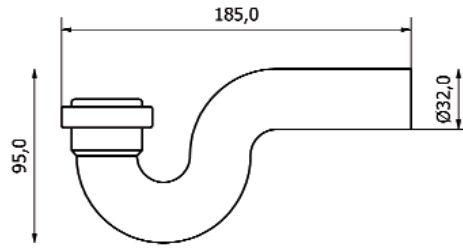
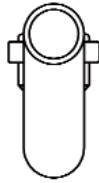


**Weight: 38Kg**

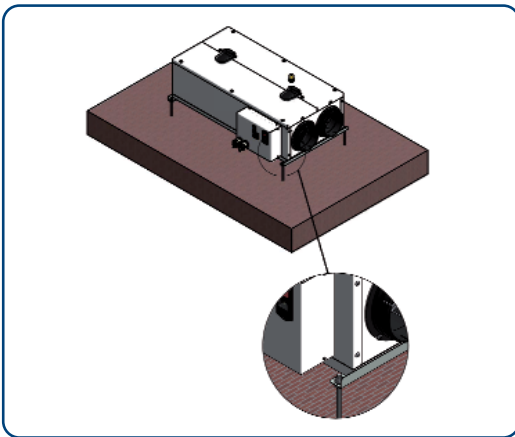




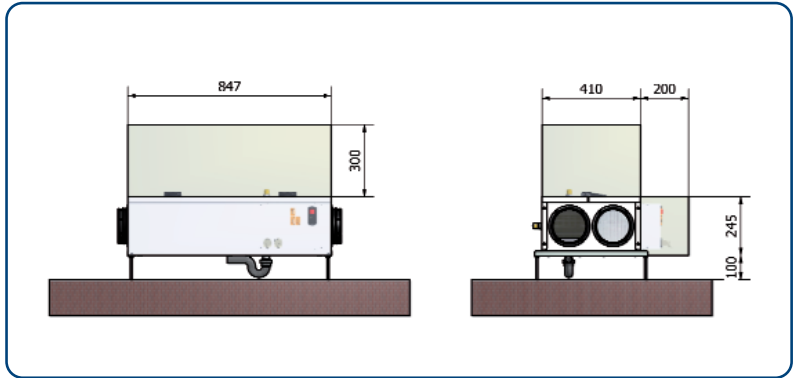
FLAT 150 + STANDARD SYPHON



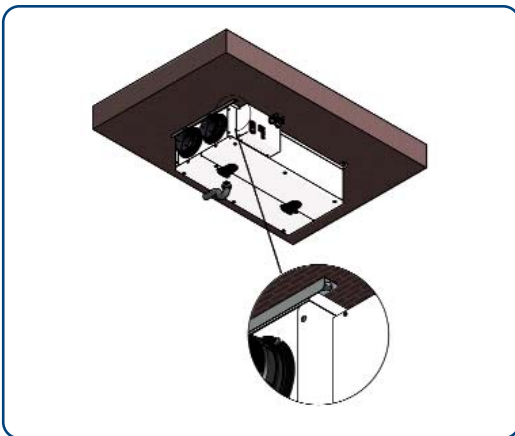
HORIZONTAL FLOOR MOUNTED



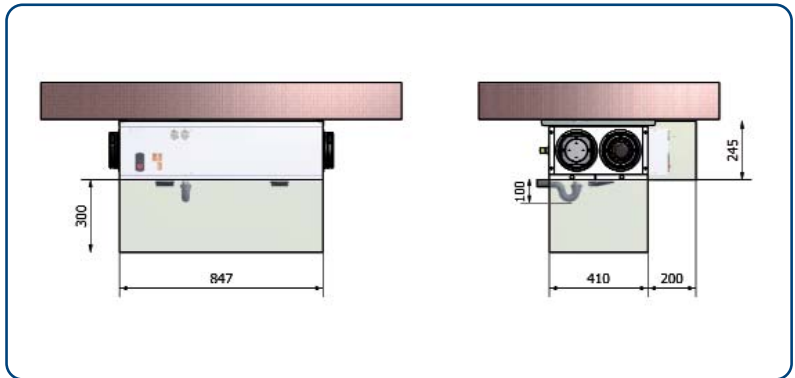
Minimum required space for maintenance (mm)



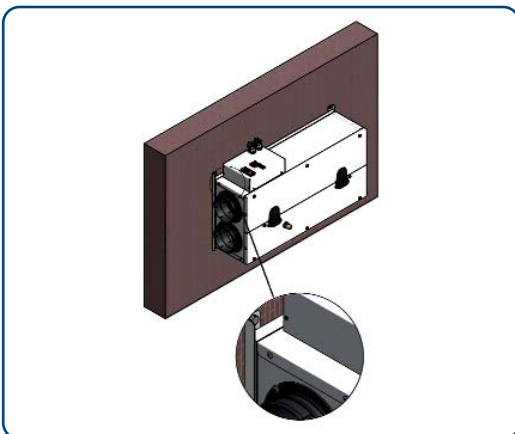
HORIZONTAL CEILING MOUNTED



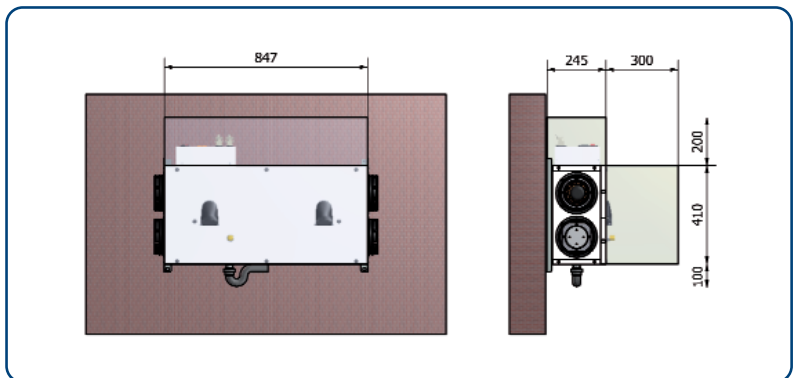
Minimum required space for maintenance (mm)



VERTICAL WALL MOUNTED

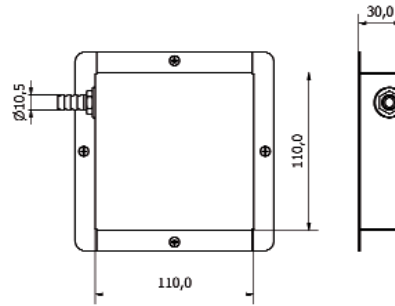
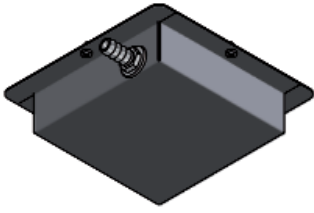


Minimum required space for maintenance (mm)

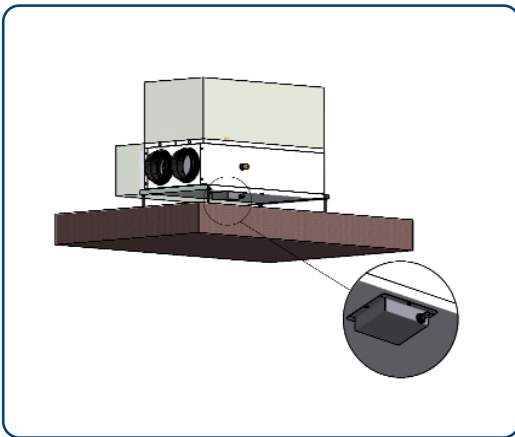




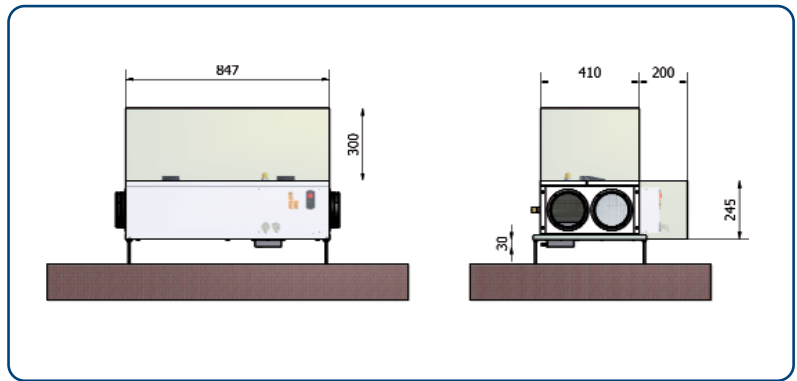
FLAT 150 + FLAT TRAY SYPHON



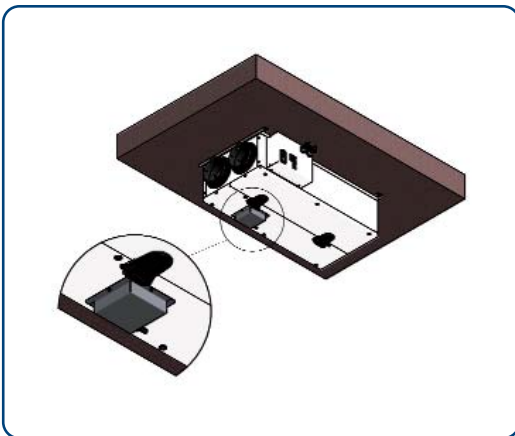
HORIZONTAL FLOOR MOUNTED



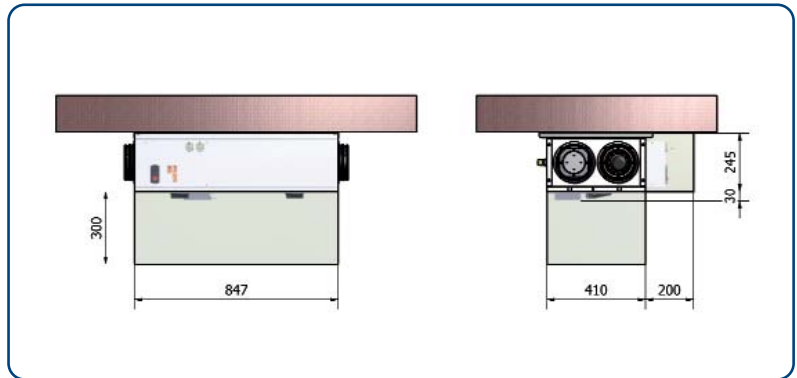
Minimum required space for maintenance (mm)



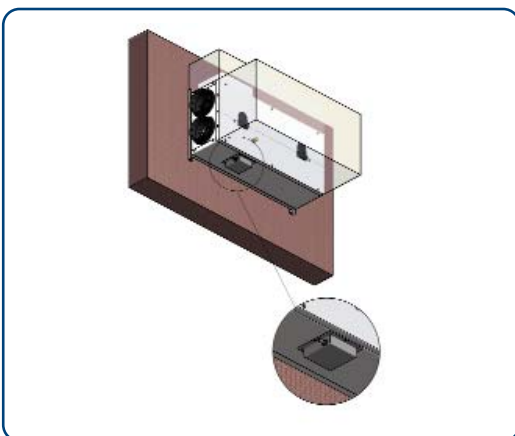
HORIZONTAL CEILING MOUNTED



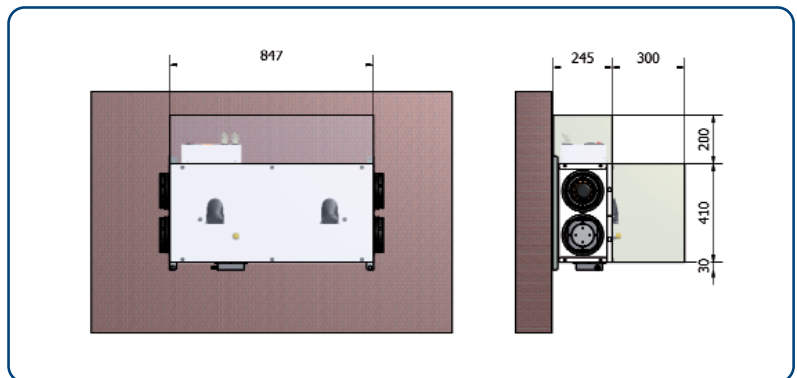
Minimum required space for maintenance (mm)



VERTICAL WALL MOUNTED



Minimum required space for maintenance (mm)



UTEK s.r.l. reserves the right to make modifications  
to their products without giving prior notice to third parties.

**UTEK S.r.l.** | Via Provinciale, 30 | 23030 Mazzo di Valtellina (So) Italy  
Tel. +39 0342 862031 | Fax +39 0342 862029 | [www.utek.eu](http://www.utek.eu) | [utek@utek.it](mailto:utek@utek.it)

**Marketing department**  
Via Maniago, 9 | 20134 Milano (Mi) Italy | Tel. +39 02 26417298 | [marketing@utek.it](mailto:marketing@utek.it)

