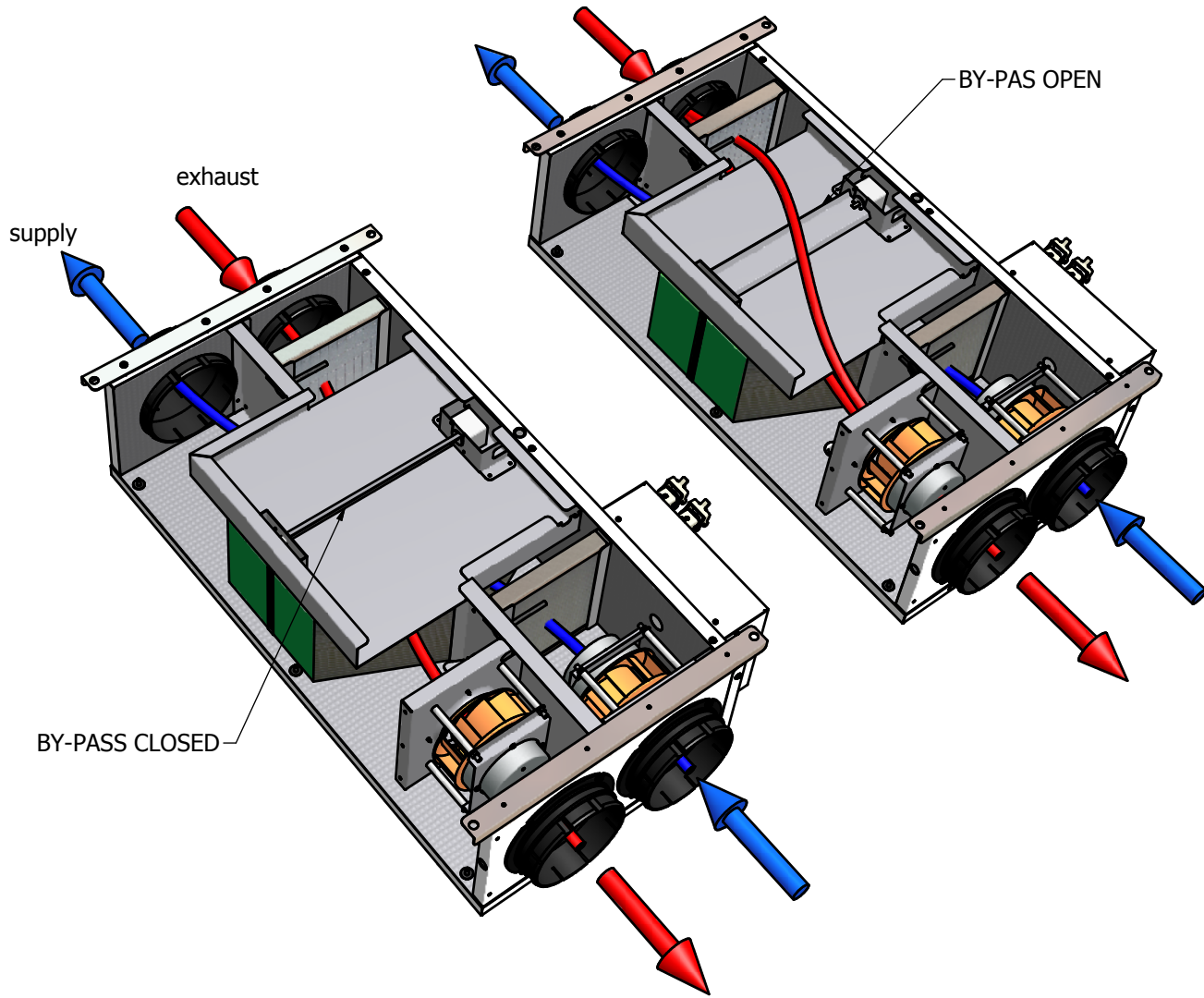


FLAT 150 (partial by-pass)



supply

exhaust

BY-PAS OPEN

BY-PASS CLOSED