

MECHANICAL HEAT RECOVERY VENTILATION FOR RESIDENTIAL BUILDINGS
(thermal efficiency >90%)

UTEK[®]



JD





JD



- ◆ Removable high efficiency heat recovery module without fans
- ◆ To be interfaced to the remote ventilating unit FAN-TEC for collective MHRV
- ◆ Range: nr. 2 models of 100 m³/h and 200 m³/h airflow

DESCRIPTION

- ◆ Self-supporting galvanized steel casing internally insulated, plasticized white

HEAT EXCHANGER

- ◆ High efficiency polypropylene counterflow heat exchanger (thermal efficiency >90%)

FILTERS

- ◆ G4 for exhaust air
- ◆ F7 low pressure loss for fresh air

INSTALLATION

- ◆ Horizontal configuration with beneath access for inspection and maintenance, with ambient temperature between 0° and 45° C

ACCESSORIES AVAILABLE ON REQUEST (see the Accessories booklet)

◆ Accessories for air filtration:

- F9 optional filter low pressure loss

◆ Protective accessories:

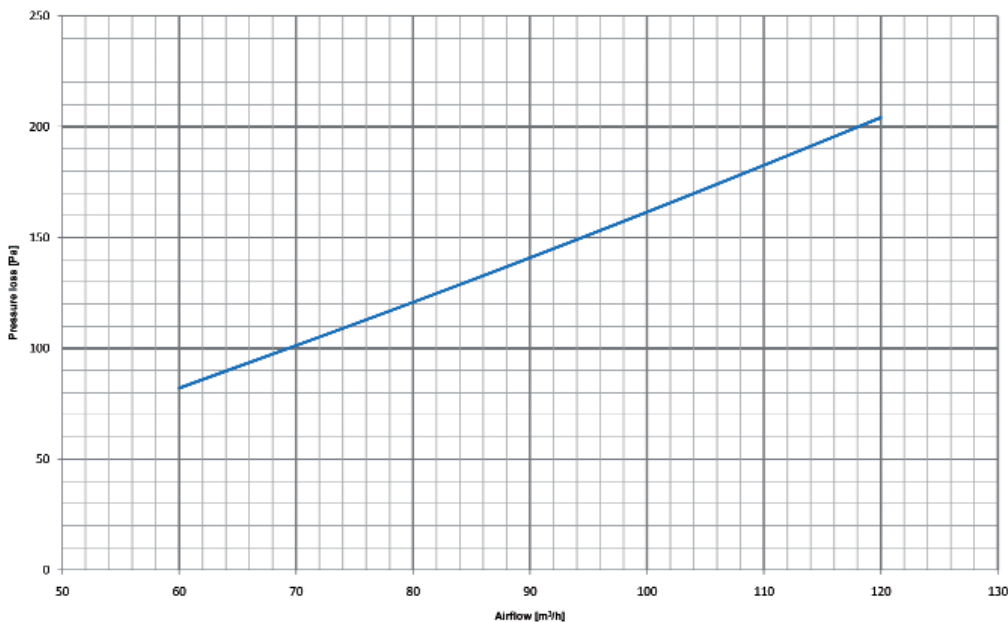
- RING Guarilene rings for adjusting the diameter of the spigots

PRICE LIST

See the Price list booklet

PRESSURE LOSS

JD 100

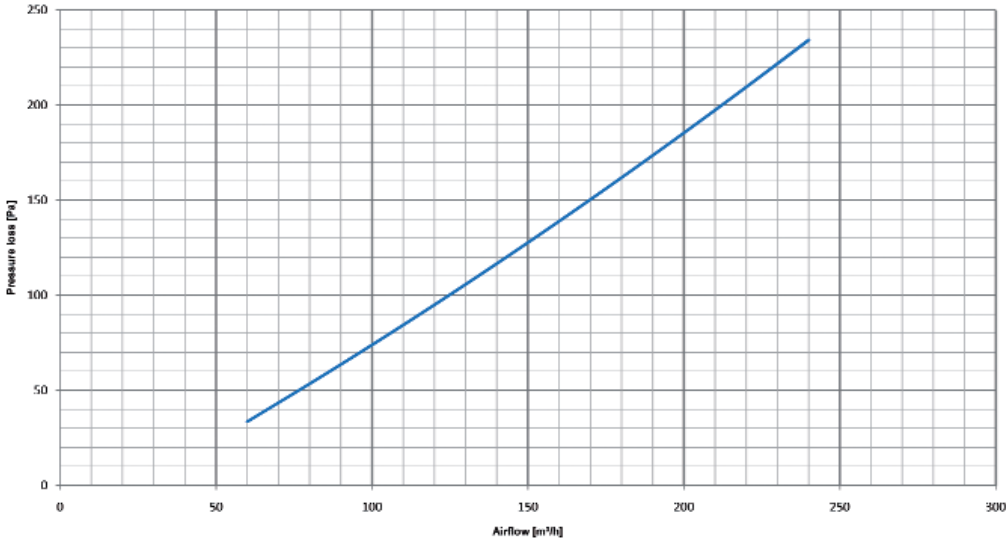


The unit must be ducted properly: UTEK authorizes the use only according to its performance diagram shown into this catalogue.
The claimed performances are guaranteed only by UTEK original filter low pressure loss.



PRESSURE LOSS

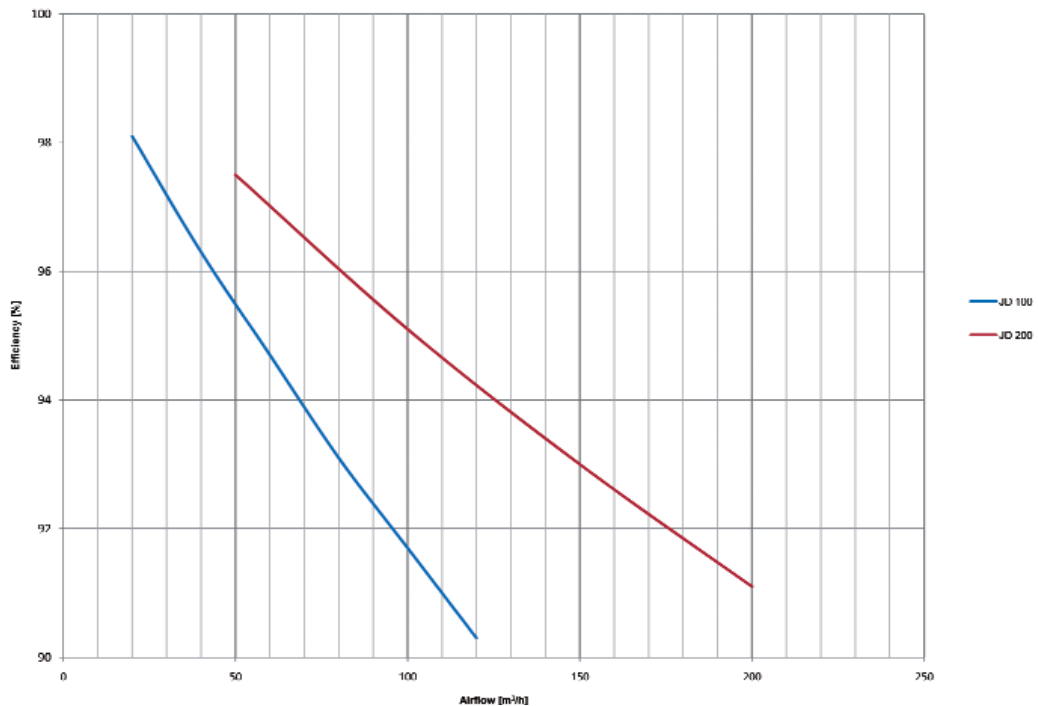
JD 200



The unit must be ducted properly: UTEK authorizes the use only according to its performance diagram shown into this catalogue. The claimed performances are guaranteed only by UTEK original filter low pressure loss.

HEAT RECOVERY PERFORMANCE (sensible efficiency)

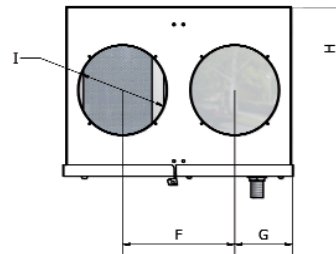
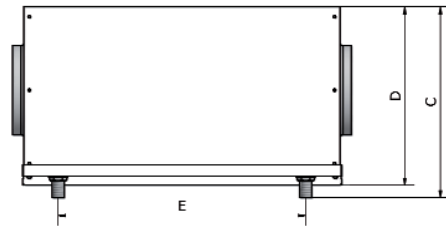
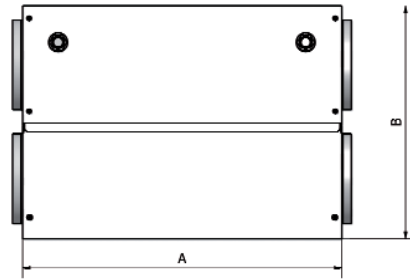
Values referred to the following conditions: T_{bs} external air - 5°C; U.R. external 80%; T_{bs} environment 20°C; U.R. environment 50%; nominal airflow





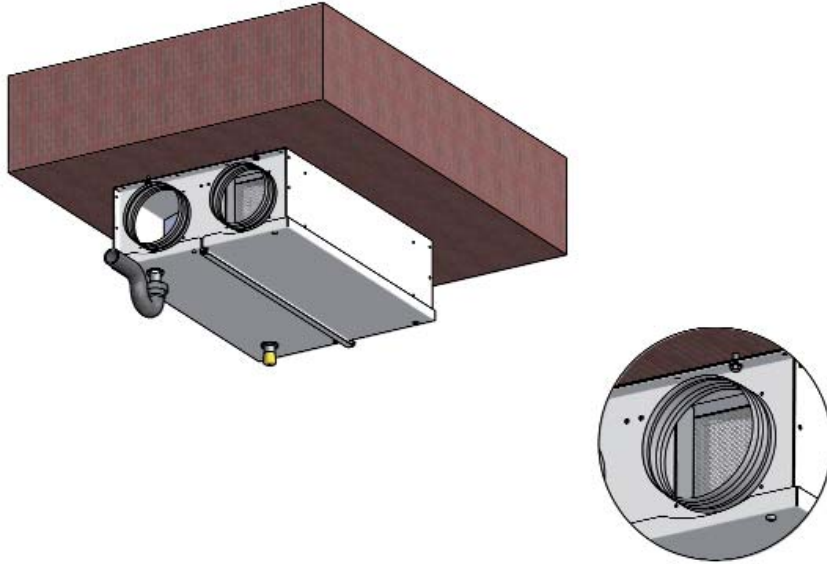
DIMENSIONS (mm) and WEIGHT (Kg)

MODEL	A	B	C	D	E	F	G	H	I	Weight
JD 100	545	393	205	184	423	192	99	80	125	23
JD 200	545	393	322	301	423	192	99	140	150	30

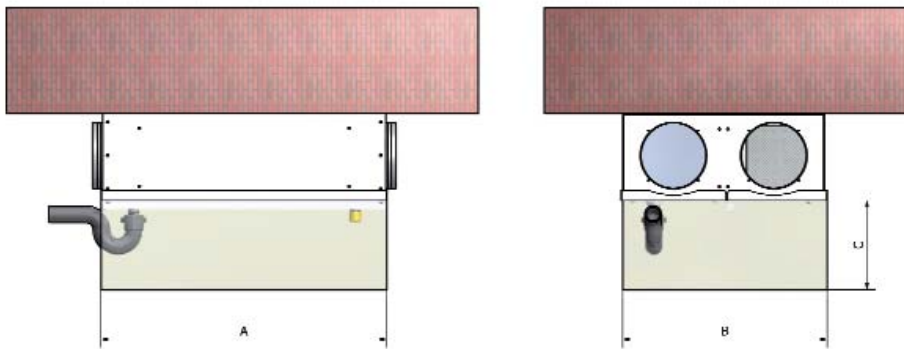




HORIZONTAL CEILING MOUNTED



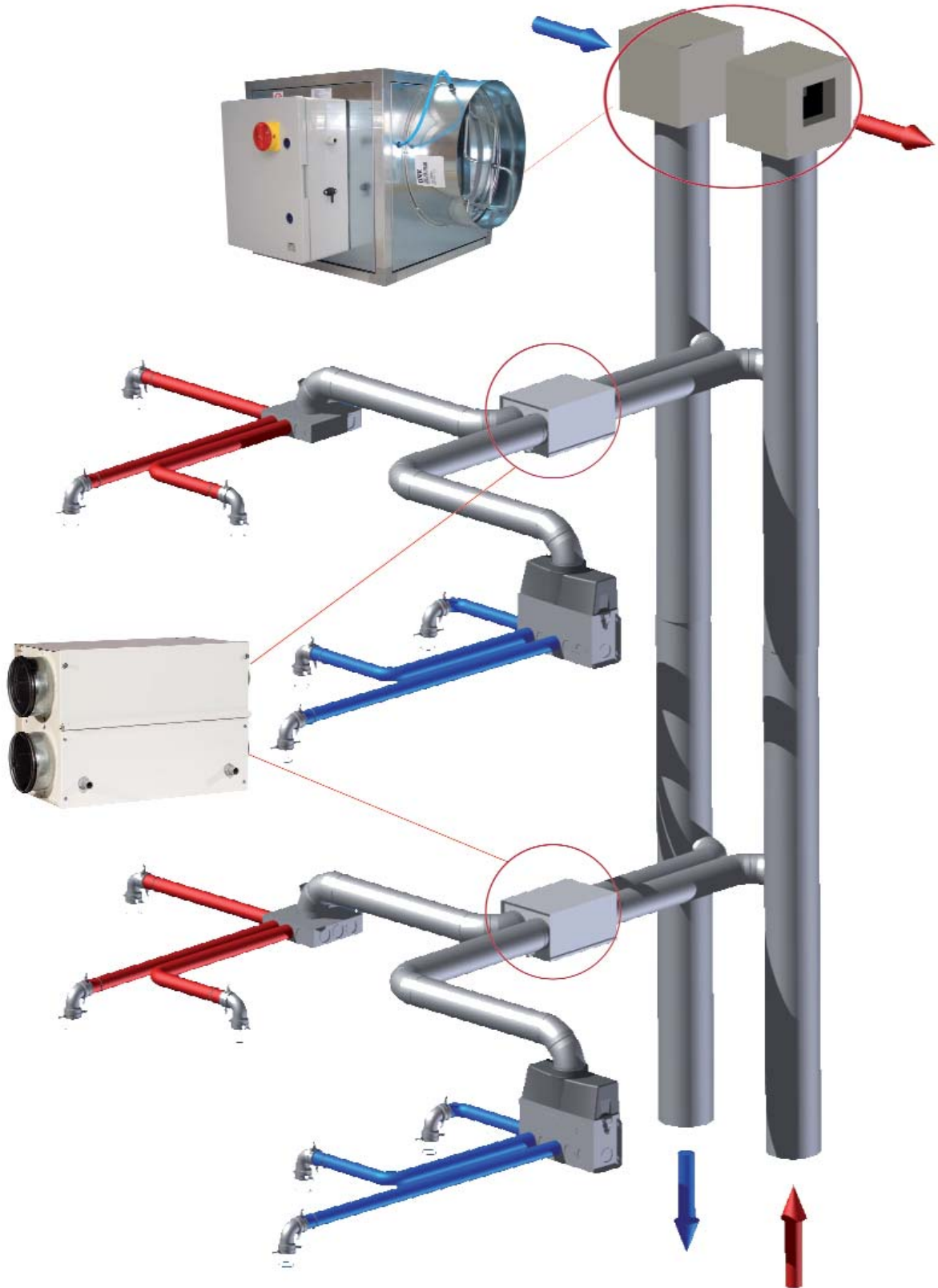
MINIMUM REQUIRED SPACE FOR MAINTENANCE
(mm)



	A	B	C
JD 100	550	400	200
JD 200	550	400	300



DUAL FLOW INDIVIDUAL MHRV





UTEK s.r.l. reserve the right to make modifications
to their products without giving prior notice to third parties.

UTEK S.r.l. | Via Provinciale, 30 | 23030 Mazzo di Valtellina (So) Italy
Tel. +39 0342 862031 | Fax +39 0342 862029 | www.utek.eu | utek@utek.it

Marketing department
Via Maniago, 9 | 20134 Milano (Mi) Italy | Tel. +39 02 26417298 | marketing@utek.it

